

Model FL-1 Fusible Links 50 lbs. (22,7 kg) Continuous Load For Use With Automatic Closing Devices

General Description

The Model FL-1 Fusible Links (Ref. Figure 1) are fixed temperature releasing devices that are thermally actuated. They are frequently installed over cooking appliances and in the ducts of kitchen cooking equipment to initiate the operation of extinguishing systems. They are also commonly used to automatically operate smoke and heat vents as well as fire doors.

The Model FL-1 Fusible Links is a redesignation of the Gem Issue C.

NOTICE

The Model FL-1 Fusible Links described herein must be installed and maintained in compliance with this document, as well as with the applicable standards of the National Fire Protection Association, in addition to the standards of any other authorities having jurisdiction. Failure to do so may impair the performance of these devices.

The owner is responsible for maintaining their fire protection system and devices in proper operating condition. Contact the installing contractor or product manufacturer with any questions.

Technical Data

Approvals

UL and C-UL Listed
FM Approved

Minimum Continuous Load

5 lbs. (2,3 kg)

Maximum Continuous Load

50 lbs. (22,7 kg)

Temperature Ratings

See Table A

Physical Characteristics

Fusible Link Halves Stainless Steel
Fusible Assembly Solder, Copper,
Stainless Steel

Note: *The Model FL-1 Fusible Links are not rated for use in corrosive atmospheres.*

Operation

When the fusible alloy melts due to exposure to heat, the Fusible Assembly compresses, allowing it to release from between the two halves of the Fusible Link. The two halves of the Fusible Link are then separated by the tension force exerted by the continuous duty load.

Installation

The Model FL-1 Fusible Links are to be installed with a continuous duty load of 5 lb. (2,3 kg) to 50 lbs. (22,7 kg). They are to be secured so that, upon operation, the two halves of the Fusible Link will disengage and swing freely. The Fusible Links are to be connected to either chain or cable via S-Hooks having a minimum recommended 0.07 in. (1,8 mm) wire diameter and a minimum 0.25 in. (6,4 mm) diameter hook.

Care and Maintenance

The following inspection procedure must be performed as indicated, in addition to any specific requirements of the NFPA. Any impairments must be immediately corrected.

Before closing a fire protection system control valve for inspection or maintenance work on the fire protection system that it controls, permission to shut down the affected system must first be obtained from the proper authorities and all personnel who may be affected by this action must be notified.

The owner is responsible for the inspection, testing, and maintenance of their fire protection system and devices in compliance with this document, as well as with the applicable standards of the National Fire Protection Association (e.g., NFPA 25), in addition to the standards of any authority having jurisdiction. Contact the installing contractor or product manufacturer with any questions.



It is recommended that automatic sprinkler systems be inspected, tested, and maintained by a qualified Inspection Service in accordance with local requirements and/or national codes.

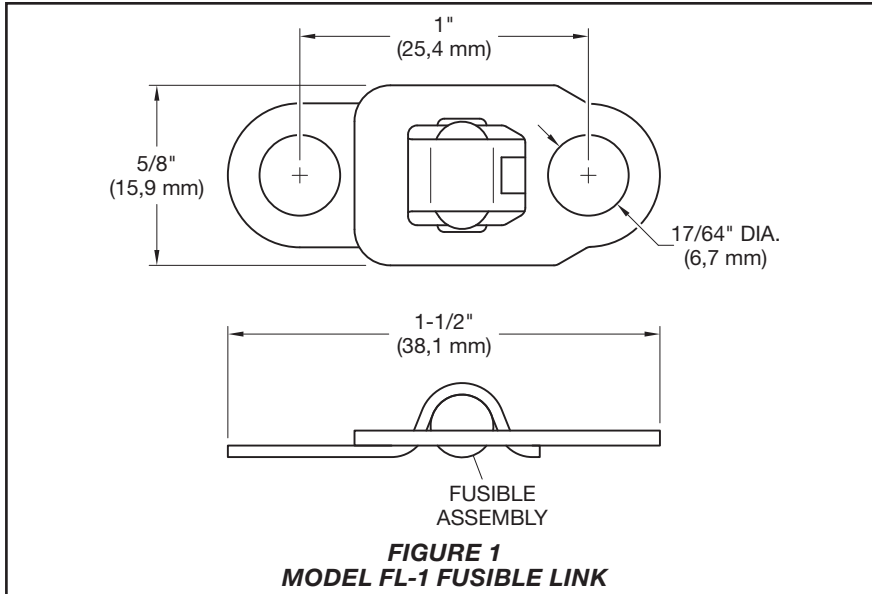
Fusible Links must never be shipped or stored where their temperatures will exceed 100°F (38°C) and they must never be painted, plated, coated, or otherwise altered after leaving the factory. Modified Links must be replaced.

Care must be exercised to avoid damage to the Fusible Links both before and after installation. Fusible Links damaged by dropping, striking, or the like, must be replaced.

Fusible Links that are found to be exhibiting signs of corrosion must be replaced.

No attempt is to be made to disassemble, repair or clean a Model FL-1 Fusible Link. The complete assembly must be replaced if there is any indication of potential malfunction

After placing a fire protection system in service, notify the proper authorities and advise those responsible for monitoring proprietary and/or central station alarms.



| Temperature Rating | Maximum Allowable Temperature Exposure | Link Color | Part Number |
|--------------------|--|------------|--------------|
| 165°F (74°C) | 100°F (38°C) | None | 56-125-9-165 |
| 212°F (100°C) | 150°F (66°C) | White | 56-125-9-212 |
| 286°F (141°C) | 225°F (107°C) | Blue | 56-125-9-286 |
| 360°F (162°C) | 300°F (149°C) | Red | 56-125-9-360 |
| 500°F (260°C) | 475°F (246°C) | Orange | 56-125-9-500 |

TABLE A
MODEL FL-1 FUSIBLE LINK
TEMPERATURE RATINGS,
DESIGN CRITERIA AND
PART NUMBER SELECTION

Inspection Procedure

Fusible Links installed per NFPA 96 “Standard for Ventilation Control Fire Protection of Commercial Cooking Operations” are to be inspected per the requirements of NFPA 96.

For installation other than per NFPA 96, frequent visual inspections are recommended to be initially performed for Fusible Links installed in potentially corrosive atmospheres to verify the integrity of the materials of construction as they may be affected by the corrosive conditions present for a given installation. Thereafter, annual inspections for signs of corrosion are recommended.

Limited Warranty

For warranty terms and conditions, visit www.tyco-fire.com.

Ordering Procedure

Contact your local distributor for availability. When placing an order, indicate the full product description and Part Number (P/N).

Model FL-1 Fusible Links

Specify: Model FL-1 Fusible Link, (specify) temperature rating, P/N (specify per Table A)