

## Model SF-1 Sight Flow Connection, 1 and 2 Inch (DN25 and DN50) 175 psi (12,1 bar)

### General Description

The TYCO Model SF-1 Sight Flow Connections (Ref. Figure 1) are designed for use in fire protection systems as a means for visibly checking that water is flowing and filling the pipe at that point. They are usually installed in main drain lines and inspector's test pipes, when it is not possible to terminate the discharge outlet where the water flow can be readily observed. They are also used in diesel engine fire pump installations to indicate the flow of cooling water to the engine.

The Model SF-1 Sight Flow Connection is a re-designation of the Gem Model F1321.

#### NOTICE

*The TYCO Model SF-1 Sight Flow Connection described herein must be installed and maintained in compliance with this document, as well as with the applicable standards of the National Fire Protection Association, in addition to the standards of any other authorities having jurisdiction. Failure to do so may impair the performance of these devices.*

*The owner is responsible for maintaining their fire protection system and devices in proper operating condition. Contact the installing contractor or product manufacturer with any questions.*

*Sight Flow Connections provide a cursory means for verifying fill appearing water flow in an inspector's test pipe. They do not indicate that the sprinkler system or drain line is free of obstructions.*

### Technical Data

**Approvals**  
UL Listed  
FM Approved

**Maximum Working Pressure**  
175 psi (12,1) bar

**Connection**  
1 or 2 Inch NPT

**Physical Characteristics**  
Body . . . . . Cast Iron  
Window . . . . . Clear Acrylic  
Covers . . . . . Mild Steel  
O-Rings . . . . . Buna-N

### Installation

Sight Flow Connections may be installed in vertical or horizontal piping for flow in either direction. When finally positioned, one of the Windows must not be obstructed from straight-on viewing.

### Care and Maintenance

The following inspection procedure must be performed as indicated, in addition to any specific requirements of the NFPA. Any impairments must be immediately corrected.

Before closing a fire protection system control valve for inspection or maintenance work on the fire protection system that it controls, permission to shut down the affected fire protection systems must be obtained from the proper authorities and all personnel who may be affected by this decision must be notified.

After placing a fire protection system in service, notify the proper authorities and advise those responsible for monitoring proprietary and/or central station alarms.



The owner is responsible for the inspection, testing, and maintenance of their fire protection system and devices in compliance with this document, as well as with the applicable standards of the National Fire Protection Association (e.g., NFPA 25), in addition to the standards of any authority having jurisdiction. Contact the installing contractor or product manufacturer with any questions.

It is recommended that automatic sprinkler systems be inspected, tested, and maintained by a qualified Inspection Service in accordance with local requirements and/or national codes.

#### INSPECTION PROCEDURE

During flow testing, verify that the water flow through the Sight Flow Connection is visible. The Sight Flow Connection may be disassembled and reassembled for cleaning. If sufficient cleaning cannot be achieved, replace with a new Sight Flow Connection.

# Limited Warranty

For warranty terms and conditions, visit  
[www.tyco-fire.com](http://www.tyco-fire.com).

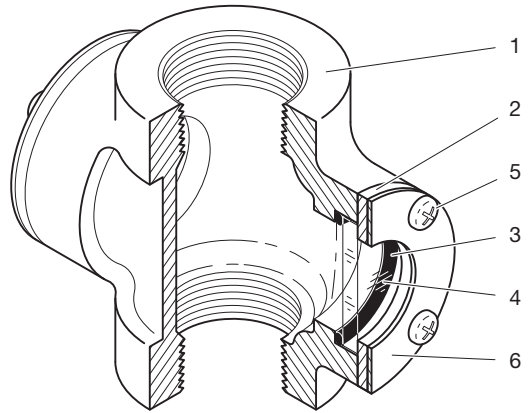
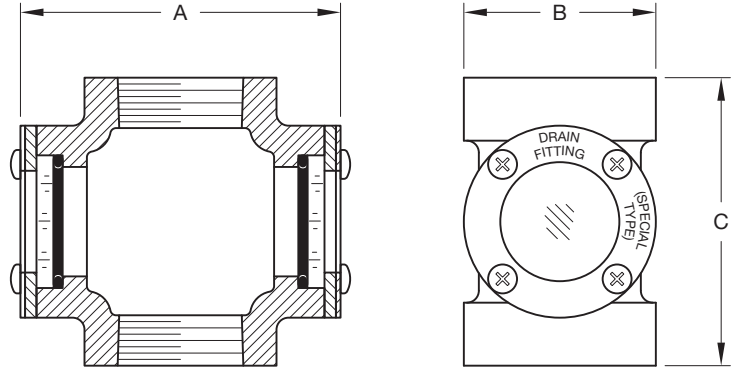
# Ordering Procedure

Contact your local distributor for availability. When placing an order, indicate the full product description and Part Number (P/N).

**Model SF-1 Sight Flow Connection**  
Specify: (specify 1 or 2 ) Inch Model SF-1 Sight Flow Connection, P/N (specify):

- 1 Inch .....52-069-1-006
- 2 Inch .....52-069-1-009

Dimensions	Pipe Size	
	1 inch (DN25) NPT Inches / (mm)	2 inch (DN50) NPT Inches / (mm)
<b>A</b>	3.25 (82,6)	4.26 (108,2)
<b>B</b>	2.00 (50,8)	3.31 (84,1)
<b>C</b>	3.00 (76,2)	3.47 (88,1)
<b>Take-Out</b>	1.88 (47,8)	2.69 (68,3)



NO.	DESCRIPTION	QTY.
1	Body .....	1
2	Cover .....	2
3	O-Ring .....	2
4	Window .....	2
5	Round Head Machine Screw, No. 8-32 x 3/8" ..	8
6	Identification Plate .....	2

**FIGURE 1**  
**MODEL SF-1 SIGHT FLOW CONNECTION**  
**ASSEMBLY AND DIMENSIONS**