

Type G Washdown Nozzle United States Navy

General Description

TYCO Type G Nozzles are washdown nozzles for use on United States Navy ships. They are external deflector-type nozzles that discharge a filled cone of small water droplets at a relatively low velocity. Four frame arms support the deflector in order to help protect the nozzle from mechanical damage.

Technical Data

Approvals

TYCO Type G Nozzles are manufactured in compliance with NAVSEA Drawing No. 803-1385828 and have been qualified to the High Impact Shock requirements of MIL-S-901C (Navy), Grade A, Hull Mounted, Class I, Light Weight Test.

Discharge Coefficient

3.0 GPM/psi^{1/2} (43,2 LPM/bar^{1/2})

Water Discharge Pattern

The design of water spray systems using the Type G Nozzles is to be in accordance with the applicable standards of the Naval Sea Systems Command. The approximate water discharge pattern at the deflector is 125 degrees. The recommended range of flowing pressure at the nozzle inlet is 20 to 60 psi (1,4 to 4,1 bar).

Thread Connection

1/2 Inch NPT

Nozzle Marking

"G-125-.328"

Weight

0.3 lbs. (0,14 kg)

Physical Characteristics

The Body of the Type G Nozzle is cast from aluminum bronze per ASTM B148 (UNS C95300), the Splitter is naval brass per ASTM B21 (UNS C46400), the Deflector is silicon bronze per ASTM B96 (UNS C65500), and the Pin is bronze per ASTM B159 (UNS C51000).



Installation

TYCO Type G Nozzles must be installed in compliance with the standards of the Fire Protection Branch of the Ship Systems Directorate, Naval Sea Systems Command.

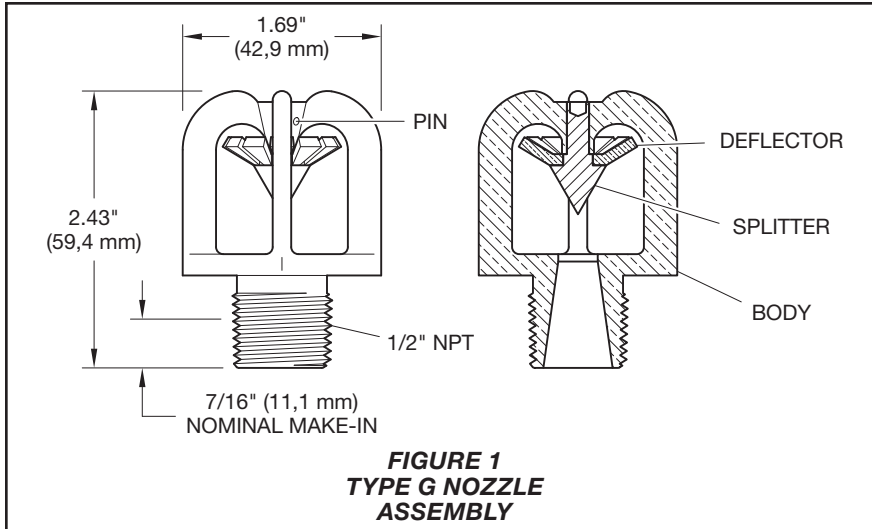
Maintenance

TYCO Type G Nozzles require regularly scheduled inspection and maintenance. For instructions, refer to the Preventative Maintenance System of the United States Navy.

IMPORTANT

Refer to Technical Data Sheet TFP2300 for warnings pertaining to regulatory and health information.

Always refer to Technical Data Sheet TFP700 for the "INSTALLER WARNING" that provides cautions with respect to handling and installation of sprinkler systems and components. Improper handling and installation can permanently damage a sprinkler system or its components and cause the sprinkler to fail to operate in a fire situation or cause it to operate prematurely.



Limited Warranty

For warranty terms and conditions, visit www.tyco-fire.com.

Ordering Procedure

Contact your local distributor for availability. When placing an order, indicate the full product name, including description and part number (P/N).

Type G Nozzle

Specify: Bronze Type G Nozzle,
P/N 49-554-1-328