



# Model RFII-C 5.6 K-factor Sprinklers Model EC-8C 8.0 K-factor Sprinklers

## Sprinklers for Corridors and Hallways



### Features and benefits

- UL Listed, specifically designed for use in long, narrow, commercial light hazard spaces
- Intended to be used in automatic sprinkler system designed in accordance with NFPA 13
- Maximum coverage area of 28 ft by 10 ft (8.5 m x 3.1 m)
- **EC-8C:** Very low nozzle design pressure due to the 8.0K orifice optimized for 0.1 gal/min/ft<sup>2</sup> commercial light hazard design density
- **RFII-C:** Flat-plate design conceals the sprinkler above the ceiling

Our high performance sprinklers protect narrow spaces at lower costs

### At-a-glance

The Tyco® Corridor Sprinkler family has grown to include both a recessed and concealed model. These special application sprinklers are UL Listed and specifically designed for use in long, narrow spaces such as corridors and hallways with a maximum coverage area of 28 ft by 10 ft (8,5 m x 3,1 m).

The EC-8C 8.0 K-factor Light Hazard, Quick Response Recessed Pendant Sprinkler offers a very low nozzle design pressure, due to the 8.0 K-factor orifice. The RFII-C 5.6 K-factor Royal Flush II, Quick Response Concealed Pendant Sprinkler features a flat-plate concealed design, allowing for an uninterrupted design aesthetic. (Cover plates are available in a variety of colors and finishes, as well as in custom, factory-painted colors.)

This sprinkler series offers the cost-saving benefits of needing fewer sprinklers at lower design pressure compared to standard coverage sprinklers.

Learn more at [www.tyco-fire.com](http://www.tyco-fire.com)

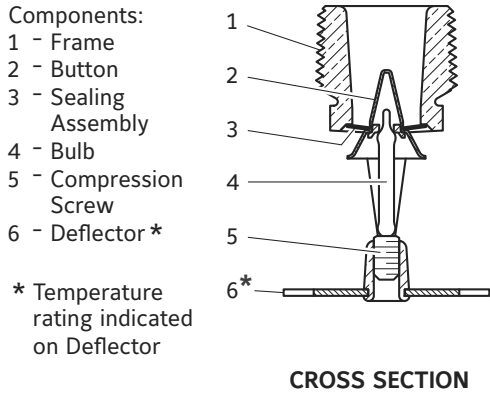




# Model RFII-C 5.6 K-factor Sprinklers Model EC-8C 8.0 K-factor Sprinklers

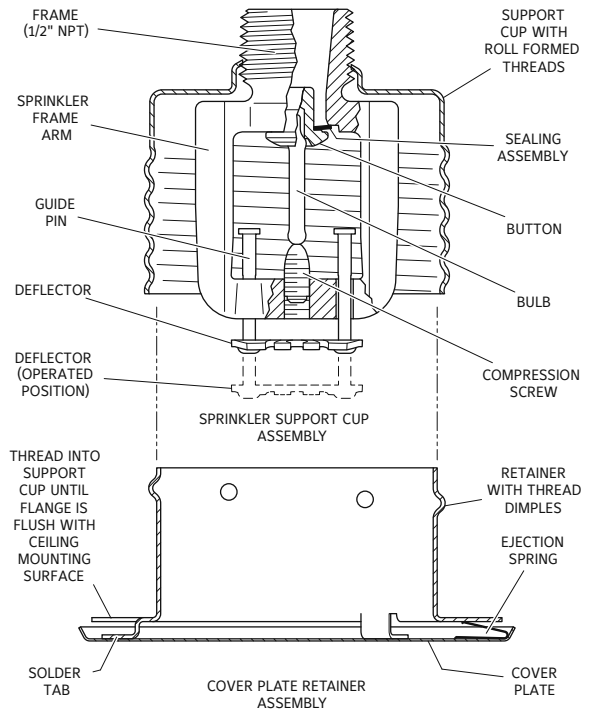
Sprinklers for Corridors and Hallways

Figure 1 - Series EC-8C (TY 4282) Components



\*Threading is 3/4" NPT

Figure 2 - Series RFII-C (TY 3582) Components



## Flow Criteria for UL Listing of Series EC-8C (TY 4282) and RFII-C (TY 3582)

Description	B Coverage Area	Flow Rate	Pressure
TY4282 (K=8.0) Pendent	28 ft x 8 ft (8,5 m x 2,4 m)	23 gpm (87,1 lpm)	8.3 psi (0,6 bar)
	28 ft x 10 ft (8,5 m x 3,1 m)	28 gpm (106 lpm)	12.3 psi (0,9 bar)
TY3582 (K=5.6) Concealed Sprinkler	28 ft x 8 ft (8,5 m x 2,4 m)	23 gpm (87,1 Lpm)	16.9 psi (1,2 bar)
	28 ft x 10 ft (8,5 m x 3,1 m)	28 gpm (106 Lpm)	25 psi (1,7 bar)

**Note:** For coverage area dimensions less than or between those listed, use the minimum flow required for the next highest coverage area.

Customer Service: Tel: 800.558.5236 • Fax: 800.877.1295  
Technical Service: Tel: 800.381.9312 • Fax: 800.791.5500

[www.tyco-fire.com](http://www.tyco-fire.com)

© 2021 Johnson Controls. All rights reserved. FS2105015

Always refer to the Technical Data Sheets (TFP226 and TFP263) for a complete description of all listing criteria, design parameters, installation instructions, care and maintenance guidelines, and our limited warranty.

The power behind your mission

